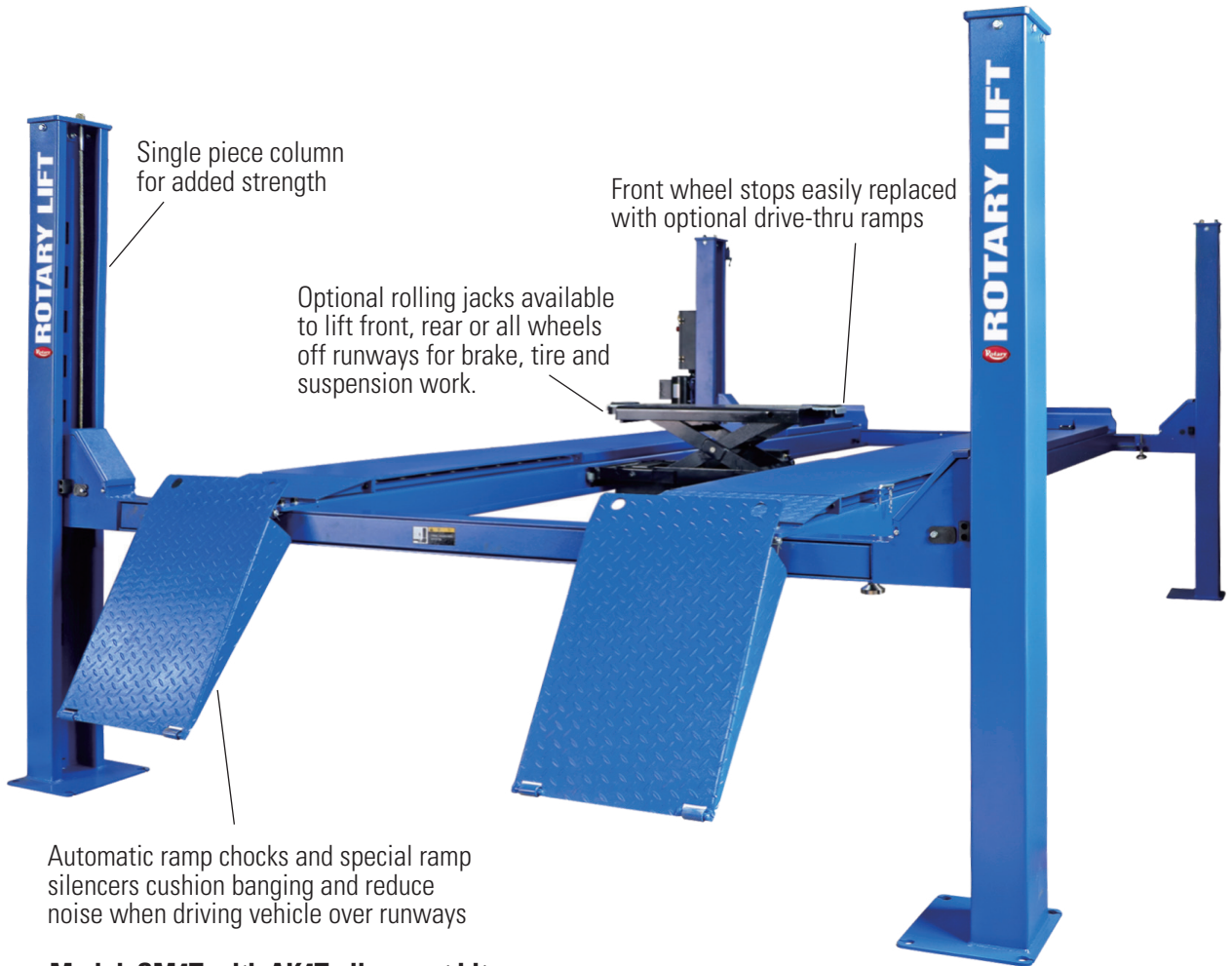




# SM4T/ SM4TL

4082 KG. CAPACITY FOUR POST LIFT



Automatic ramp chocks and special ramp silencers cushion banging and reduce noise when driving vehicle over runways

**Model: SM4T with AK4T alignment kit and optional rolling jack**

Locating hydraulic cylinder and lift mechanism underneath runway eliminates damage and permits unobstructed rise

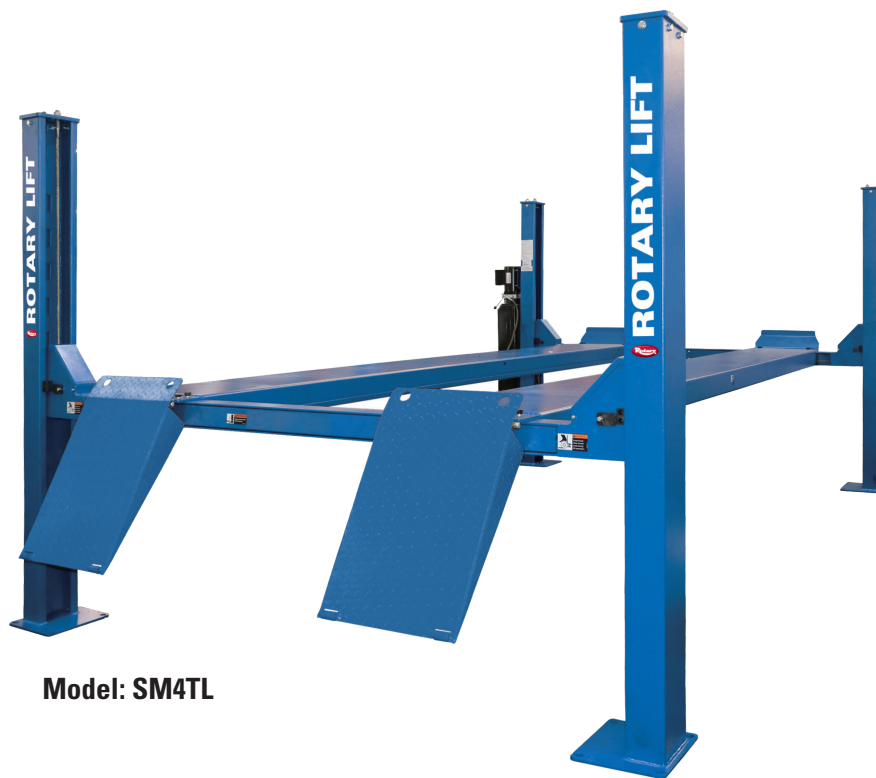
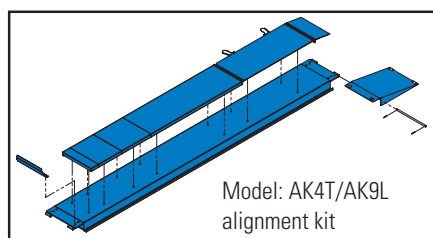
**SM4T / SM4TL - 4082 kg capacity** is ideal for quick lifting and service of a wide range of vehicles. With Rotary Lift's SM4T/SM4TL, the real value is the increase in productivity.

For decades, Rotary Lift® has been the recognized leader in vehicle service lifts. This legendary reputation has set the standard for quality, durability, reliability and attention to safety throughout the automotive service market.

# SM4T/SM4TL

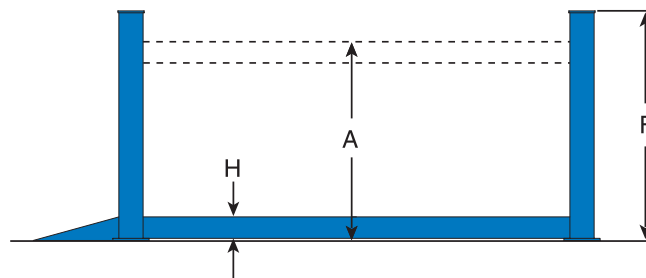
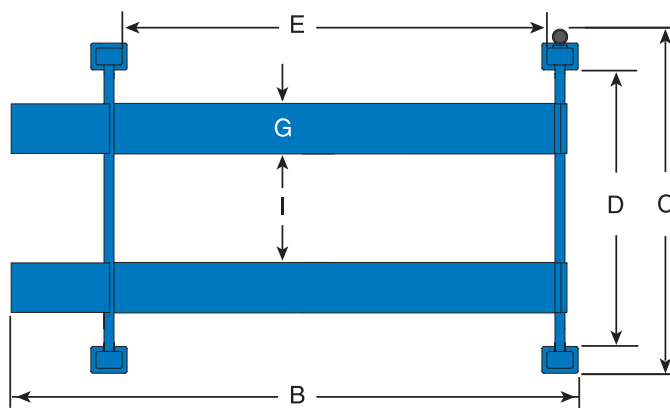
## Optional Accessories

- RJ4500MBK - 2041kg capacity rolling bridge w/ manual pump (use with alignment kit)
- NRJ45G- 2041kg capacity rolling bridge w/ manual pump (use with flat runway)
- FC5969 Air Pump Kit - to change manual pump to air operated
- AK4T/AK9L - Bolt-On Alignment Kit
- FA5153 - Radius Gauges



## Specifications

Model:	SM4T	SM4TL
Max. Wheelbase	3861 mm	3861 mm
A. Rise	1962 mm	1962 mm
B. Length Overall	5337 mm	5850 mm
C. Width Overall	3276 mm	3276 mm
D. Inside of Columns	2718 mm	2718 mm
E. Between Front and Rear Columns	4191 mm	4704 mm
F. Height of Columns	2221 mm	2221 mm
G. Width of Runways	508 mm	508 mm
H. Height of Runways	127 mm	127 mm
I. Width Between Runways	1000 mm	1000 mm
Lifting Capacity	4082 kg	4082 kg
Motor	2 HP	2 HP
Voltage Single Phase	208v-230v	208v-230v



**Rotary Lift**  
 2700 Lanier Drive  
 Madison, IN 47250, USA  
[www.rotarylif.com](http://www.rotarylif.com)

FIND US ON



Lit# Rotary\_SM4T\_Cutsheet\_2019.07  
 ©2019 VEHICLE SERVICE GROUP<sup>SM</sup>. All Rights Reserved.  
 Unless otherwise indicated, Rotary Lift<sup>®</sup>, VEHICLE SERVICE GROUP<sup>SM</sup>, DOVER and all other trademarks are property of Dover Corporation and its affiliates.

